



## IP66 PV Solar DC Plastic Combiner Box 3 In 1 Out For Solar System

ADELS® is a professional China IP66 PV Solar DC Plastic Combiner Box 3 In 1 Out For Solar System manufacturers and suppliers. Welcome clients from home and aboard to visit our factory any time.

Model:FMA-18W PV3/1

As a professional high quality IP66 PV Solar DC Plastic Combiner Box 3 In 1 Out For Solar System manufacturers, you can rest assured to buy IP66 PV Solar DC Plastic Combiner Box 3 In 1 Out For Solar System from ADELS® and we will offer you the best after-sale service and timely delivery.

## IP66 PV Solar DC Plastic Combiner Box 3 In 1 Out For Solar System

## IP66 PV Solar DC Plastic Combiner Box 3 In 1 Out For Solar System Parameter

| Electrical Characteristics                   |                                |
|--|--------------------------------|
| Type   | FMA-18W PV3/1 (FMA-18W PVM3/1) |
| Input  | 3 string                       |
| Output                                       | 1 string                       |
| Maximum Voltage                              | DC 1000V                       |
| MAX DC Short Circuit Current Per Input (Isc) | 15A(Changeable)                |
| Maximum Current Output                       | 63A                            |
| Environment                                  |                                |
| Operating Temperature                        | -25°C~+55°C                    |
| Humidity                                     | 99%                            |
| Attitude                                     | 2000M                          |
| Installation                                 | Wall Mounting                  |
| Enclosure                                    | FMA-18W                        |
| Material Type                                | PC/ABS                         |

### Wenzhou Feimai Electric Co., Ltd.

**Address:**No.75 Xinguang Avenue, Xinguang Industrial Zone, Liushi, Yueqing City, Zhejiang Province, P.R.China.

**Phone:**+86-13968753197

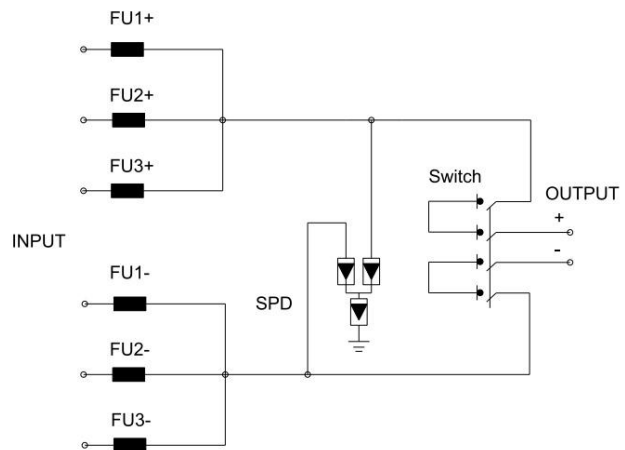
**Fax:**+86-577-62797770

**Tel:**+86-577-62797750

**E-mail:**sale@adels-solar.com

|  |  |
|--|--|
| Degree of Protection                   | IP65   |
| Dimension (WxHxD)                      | 410x285x140mm  |
| Cable input entry                      | Pg9 Cable Gland 4-8mm <sup>2</sup> /4mm <sup>2</sup> MC4 connector |
| Output Cable Gland                     | Pg21 Cable Gland(2 holes)  |
| DC MCB                                 | FM DB7-63/PV-63A/4 P   |
| Rated Insulation Voltage(Ui)           | DC 1000V   |
| Rated Current (Ie)                     | 63A  |
| Category                               | DC-21 B  |
| Standard Compliance with Certification | IEC60947-2   |
| DC Surge Protection Device             | FMDC-T2/3  |
| Max Operation Voltage(Ucpv)            | DC 1000V   |
| Standard Compliance with Certification | EN 61643-31 Type 2   |
| Maximum Discharge Current              | 40 KA  |
| DC Fuse Holder                         | FMR1-32  |
| LED Indicator                          | Yes  |
| Rated Working Voltage                  | DC 1000V   |
| Fuse Link                              | 10x38mm 15A  |
| Certification                          | TUV, CE, CB, ROHS  |

## IP66 PV Solar DC Plastic Combiner Box 3 In 1 Out For Solar System Schematic



### Wenzhou Feimai Electric Co., Ltd.

**Address:**No.75 Xinguang Avenue, Xinguang Industrial Zone, Liushi, Yueqing City, Zhejiang Province, P.R.China.

**Phone:**+86-13968753197

**Fax:**+86-577-62797770

**Tel:**+86-577-62797750

**E-mail:**sale@adels-solar.com